

Gazebo

MATERIAL LIST

- 1 6"x6" x 12" (for cupola roof peak)
- 4 2"x6" x 8' (fascia, inner rails)
- 10 2"x6" x 10' (floor framing-can be 2"x8" x 10' for heavy weight version)
- 10 2"x6" x 12' or 5/4"x6" x 12' (decking)
- 58 2"x4" x 8' (roof rafters, posts, top plate, handrail caps, Transom Mounting Plate, cupola frame,)
- 8 1"x4" x 8' (post trim)
- 18 2"x2" x 8' (balusters)
- 3 5/4"x6" x 8' (transom)
- 5 1"x3" x 8' (rail mounting plate)
- 8 1"x10" x 12' Barn Board or 3 Sheets 5/8" Exterior Plywood (roof sheathing)
- 1 2"x6" x 12' (braces)
- 2 5/4"x6" x 8' (brace mounting plates)
- 1 2"x8" x 10' (ridge beam)
- 1Sht 3/4" (exterior plywood for laminated posts)
- 1 quart waterproof adhesive

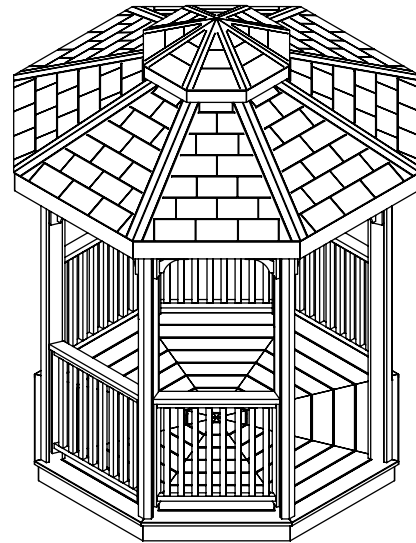
Fasteners:

- 16 Galvanized Hurricane Clips, (if applicable)
- 7lb 1 1/4" galvanized roofing nails
- 7lb 3" Deck Screws (rated for red cedar)
- 5lb 3 1/2" Spiral Galvanized Nails
- 2lb 3" Spiral Galvanized Finish Nails
- 8 5"x1/2" Galvanized Carriage Bolts with nuts and washers
- 24 3 1/2"x 3/8" Galvanized Carriage Bolts with nuts and washers

**Consider using a 3/8" pilot with a countersink, then filling the screw holes with solid wood cut using a drill press and a tapered plug cutter.*

***Consider pre-finishing Red Cedar Prior to assembly.*

**** Full size templates with step-by-step solid wood lamination instructions version is available for purchase through www.GardenStructure.com*

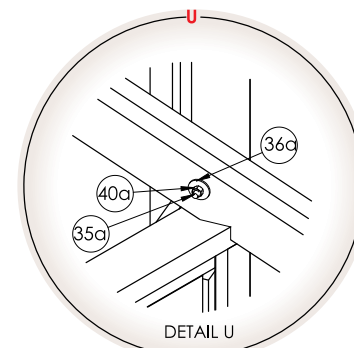
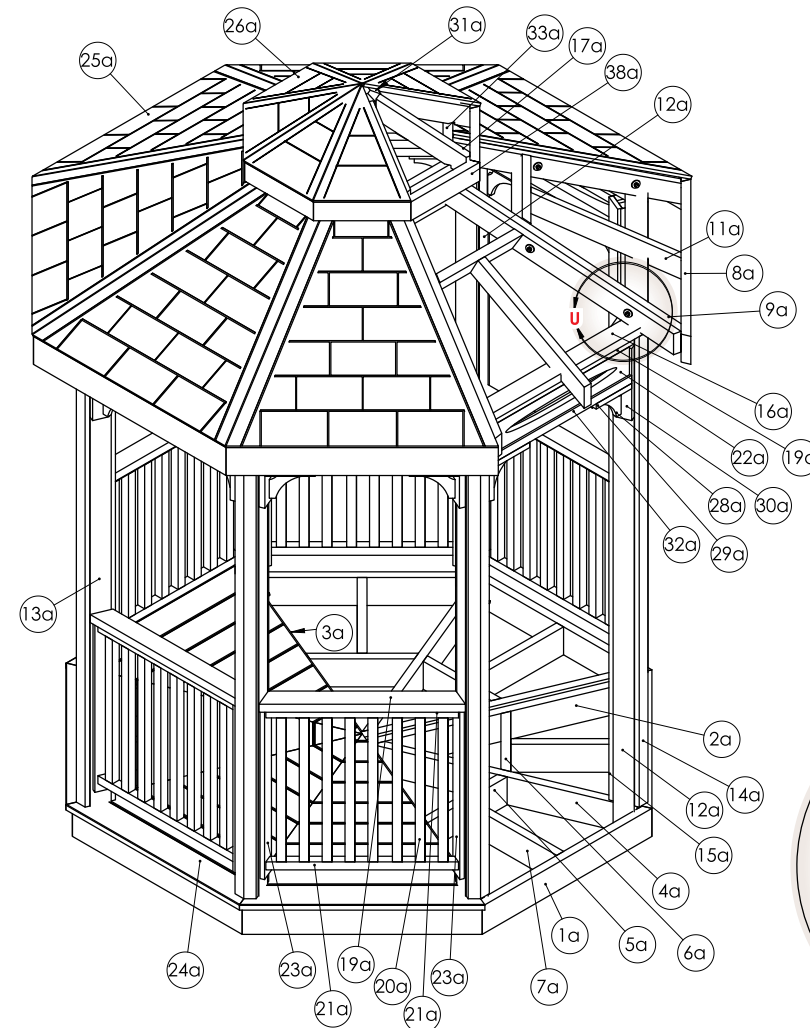
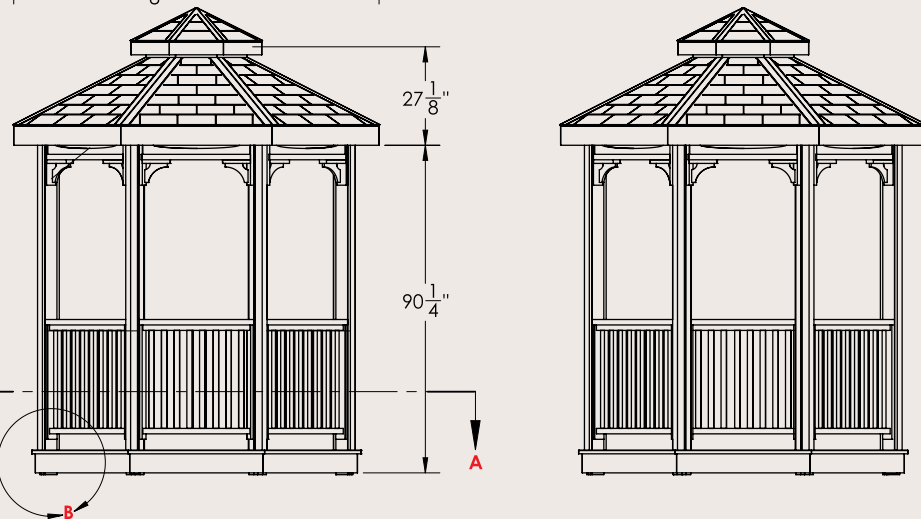
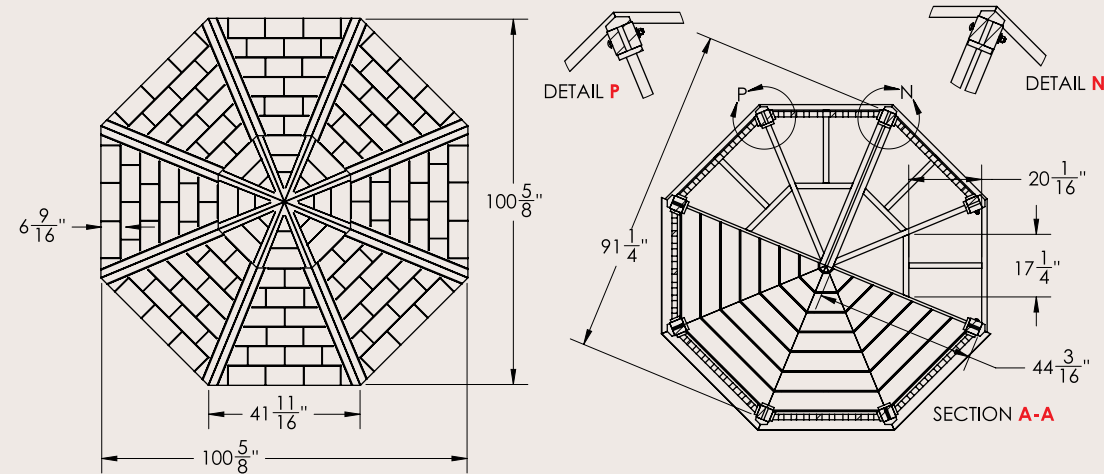


RECOMMENDED TOOLS

- Three 2"x4" x 12" to be used for temporary bracing
- 6 carpentry clamps
- Drill, 1/2" and 3/8" spade bit or augur bits
- Screw driver bits and magnetic tip and drill
- Circular Saw and Bevel Miter Saw capable of cutting 2x6
- Framing Square
- Pocket Hole Jig and #12 Pan Head Stainless Wood Screws (to fill countersinks)
- Random orbital sander with 80 grit sandpaper.
- Jigsaw with heavy duty blades
- Small Drill Press (optional)
- Flush Cut Saw
- Table Saw
- Wheelbarrow, Shovel, Rake, Lever Augur (only if you are doing sonotube footings)
- 4' Level
- Belt Sander with 40 and 60 grit paper
- Random Orbital Sander with 60 and 80 grit paper
- Wrenches and Socket Set
- An accurate level

Item No.	Description	MATERIAL	Qty.
----------	-------------	----------	------

1a	Deck Rim Joists	2"x6"	8
2a	Deck Main Joists - Long	2"x6"	2
3a	Deck Joist Type A	2"x6"	2
4a	Deck Joist Type B	2"x6"	4
5a	Deck Purlin	2"x6"	4
6a	Deck Purlin (Short)	2"x6"	4
7a	Deck Short Joist	2"x6"	8
8a	Main Roof Fascia	2"x6"	8
9a	Roof Rafter	2"x4"	16
10a	Roof Purlin	2"x4"	8
11a	Roof Middle Rafter	2"x4"	8
12a	Post Verticals (Long)	2"x4"	12
13a	Post Verticals (Short)	2"x4"	4
14a	Post Vertical Corner Cap	2"x4"	8
15a	Inner Post Trim	1"x4"	8
16a	Top Plate	2"x4"	8
17a	Cupola Rafter	2"x4"	8
19a	HandRail Cap	2"x4"	16
20a	Ballisters	2"x2"	64
21a	Inner Rails	2"x3"	16
22a	Transom Panel	5/4"x6"	8
23a	Rail Mounting Plate	1"x3"	16
24a	Decking	5/4"x6"	8
25a	Pine Barn Board or 5/8" Exterior Plywood & Shingles		8
26a	Pine Barn Board or 5/8" Exterior Plywood & Shingles		8
27a	LHS Brace 2"x6" Offcuts		8
28a	RHS Brace 2"x6" Offcuts		8
29a	Brace Mounting Plate Type B	5/4"x3"	16
30a	Brace Mounting Plate Type A	5/4"x3"	16
31a	Cupola Peak	6"x6"	1
32a	Transom Lower Plate	2"x4"	8
33a	Octo-Ridge Beam	2"x8"	8
34a	3/4"x3 1/2" Plywood Filler	3/4" Plywood	2
35a	1/2" Galvanized Hex Nut	Steel	24
36a	1/2" Galvanized Flat Washer	Steel	24
37a	1/2"x5" Galvanized Carriage Bolt	Steel	8
38a	Cupola Fascia	2"x4"	8
40a	1/2"x4" Galvanized Carriage Bolt	Steel	16



Gazebo

INSTRUCTIONS

- A. Shop for, gather and organize the materials.
- B. Prefabricate the parts as required and stack like parts together. It is prudent to leave parts slightly long and trim to fit once measurements have been confirmed.
- C. This gazebo is suitable to be placed on 9 sono-tube footings, on a slab, or even set up on concrete blocks, though it is always better to put the blocks on patio stones so that they stay more level.
- D. If choosing permanent sono-tube footings use a strap type anchor or a carport bracket so that you may bolt through the joist to make a wind resistant connection. Consider using an adjustable type of post mount. Layout and dig the minimum 42" deep x 10" holes using a lever auger or power auger—or better still, hire someone that specializes in digging post holes. Carefully locate the supports using the dimensions provided in the footing layout.
- E. Frame the floor structure as illustrated from 2x6 or 2x8 materials. Use care to leave a 3/4" slot between the 2 main beams to accommodate the hardwood spline that connects the post to the deck. Use blocks of plywood spaced about every 16" apart to maintain the space.
- F. Assemble the post verticals with plywood spacers as illustrated and put in place against the rim joist. The posts should be assembled using a 3/4" strip of exterior plywood and laminating the posts to using waterproof glue. Secure to the joist with a carpentry clamp. As the first row of decking is installed, (overhanging the frame by 1.5"), you will need to notch around the posts—however you don't need to worry too much about a perfect cut. There will be a 5/8" trim covering the joint towards the interior of the gazebo. The posts are secured in location just prior to installing the decking that will cover the connection. Install the galvanized carriage bolts, nuts and washers as you work your way around the deck.
- G. Decking is typically laid on slightly long and then trimmed with a straight edge and a circular saw. Each section is laid carefully to maintain a 3/16" space and tight joints. The decking is left slightly long and then trimmed off. The final section will obviously have to be fit carefully.
- H. Cut the posts off level to one another as illustrated and install the top plates and transom assemblies.
- I. Cut all the rafter parts and assemble all 8 sections then move them aside as they are fastened together. Now is the time to install the exterior and interior cladding. If installing the interior cladding you may want to leave a few pieces off to enable easy installation of bolts connecting the rafters. The octo-ridge beam is the top plate for each pie shaped section of roof. Full 1" barn board will enable the roofing to be installed without nails protruding into the interior of the gazebo. If you will be installing a tongue and groove interior roofing system

you can use plywood instead. Shingles can also be installed before installing the roof panels, however it will take more helpers to lift the panels into place and they tend to be more difficult to work with the more weight you add on the ground.

J. Put the first section in place and fasten a 2x4x12 to support the first section while you lift the second section. Bolt the second section to the first—using clamps to hold the sections temporarily. Do not fasten to the top plate until after all the sections are bolted together and the whole assembly is centered upon the top plate. In areas where hurricanes or high wind events are possible you should also use hurricane clips to connect the roof to the top plates.

K. The cupola can be assembled on the ground and set in place. Fasten the cupola from the inside using screws. You may even want to install the roofing and corner caps as well before mounting the cupola.

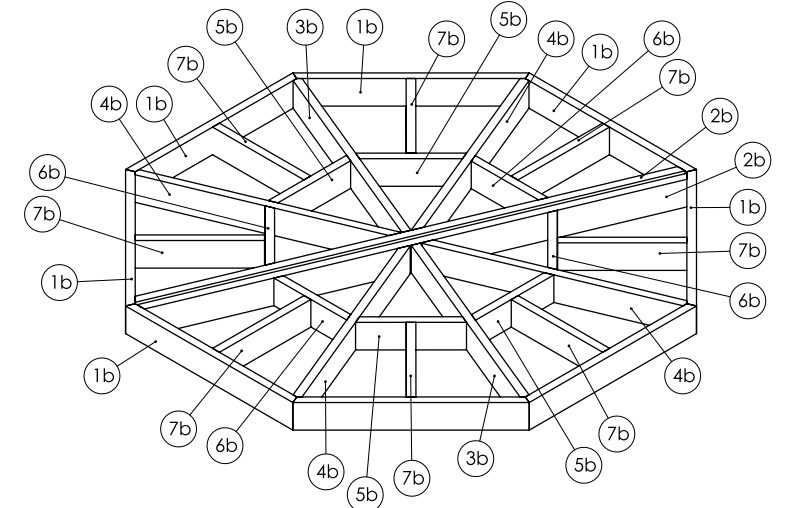
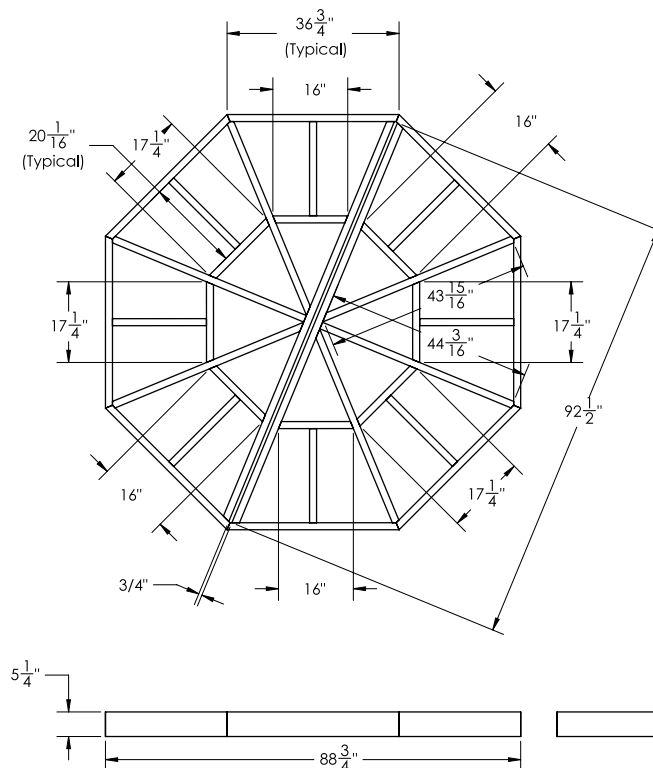
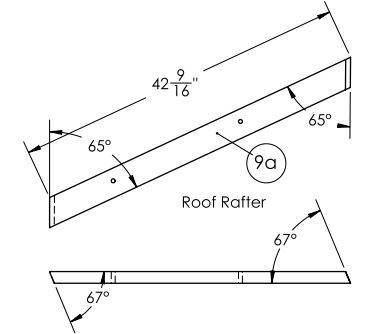
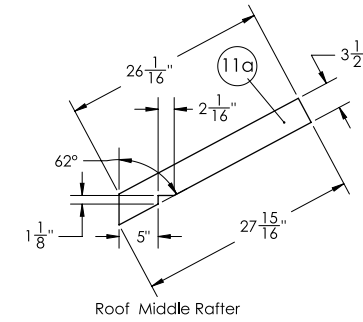
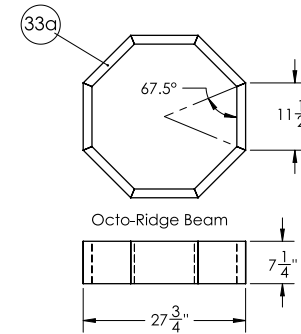
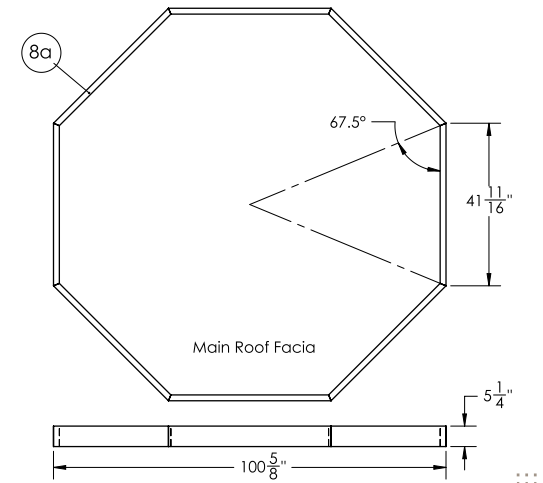
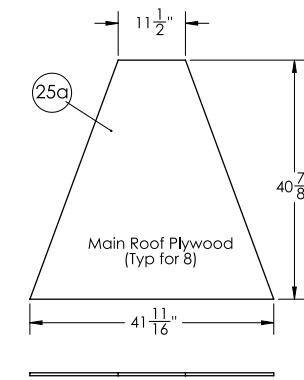
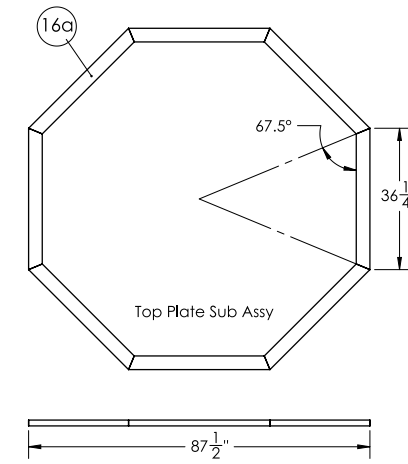
L. Confirm each post for level and brace temporarily—then add the knee braces and the interior post trim and exterior caps.

M. Assemble the handrail sections and fasten with the same reveal (space between face of exterior face of post and rail mounting brackets).

N. Skirting is different in every site condition. Block, footing and slab installations will require different skirting to be applied. Normally the decking overhangs roughly 1.5" and the skirting butts up to the decking.

O. Choose a roofing material and install. Pay attention to corner caps. As a precaution, please don't expect cedar shingles to be a DIY project—it is a complex roofing to apply properly. Consider using ice and water shield barrier over the entire roof if you are not confident in your roofing ability.

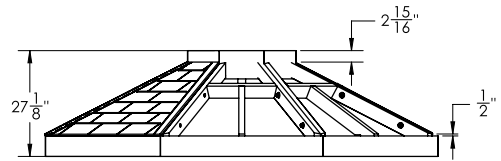
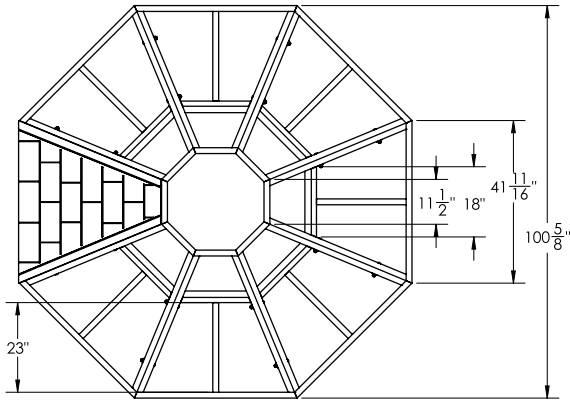
P. Give your gazebo a coat of stain, and then fill any voids or holes with exterior putty. Give it a second coat after putty.



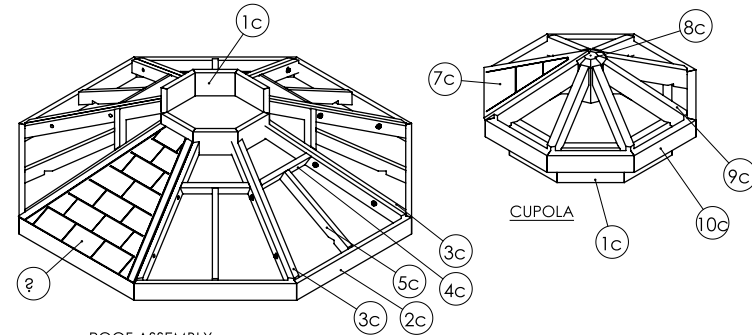
Item No.	Description	Material	Qty.
1b	Deck Rim Joists	2"x6"	8
2b	Deck Main Joists - Long	2"x6"	2
3b	Deck Joists Type A	2"x6"	2
4b	Deck Joists Type B	2"x6"	4
5b	Deck Purlin	2"x6"	4
6b	Deck Purlin (Short)	2"x6"	4
7b	Deck Short Joist	2"x6"	8

Plan designed by Garden Structure (www.gardenstructure.com). It is an artist's conception and is intended as general reference only. The Western Red Cedar Lumber Association does not warrant the accuracy of the information herein. Always follow local and national building codes.

Gazebo

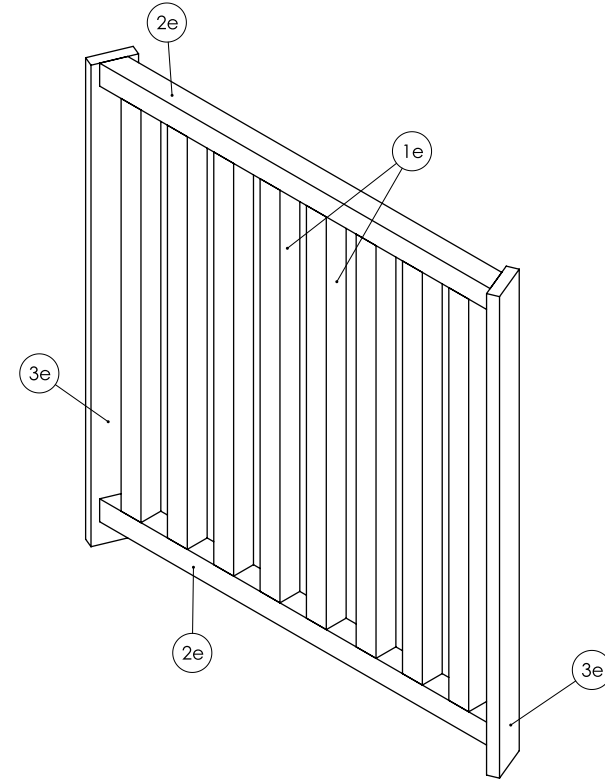


Item No.	Description	Material	Qty.
1c	Octo-Ridge Beam	2"x8"	8
2c	Main Roof Facia	2"x6"	8
3c	Roof Rafter	2"x4"	16
4c	Roof Purlin	2"x4"	8
5c	Roof Middle Rafter	2"x4"	8
6c	Pine Barn Board or 5/8" Exterior Plywood	See Description	8
7c	Pine Barn Board or 5/8" Exterior Plywood	See Description	8
8c	Cupola Peak	6"x6"	1
9c	Cupola Rafter	2"x4"	8
10c	Cupola Facia	2"x4"	8

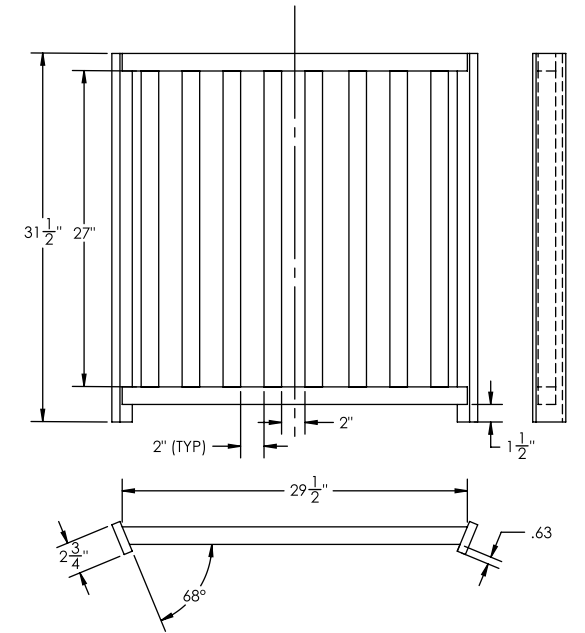


ROOF ASSEMBLY
(CUPOLA SHOWN SEPARATELY FOR CLARITY)

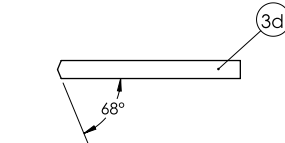
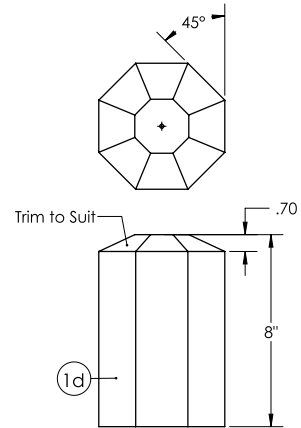
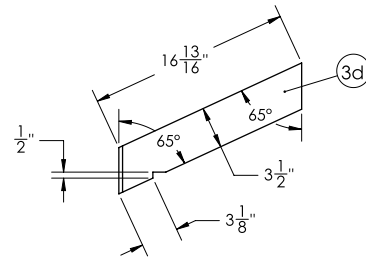
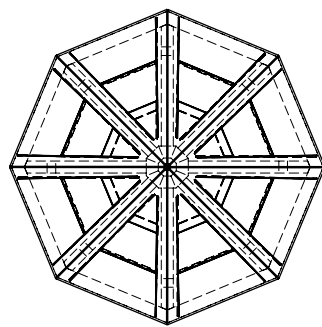
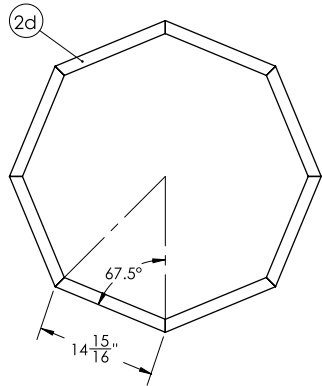
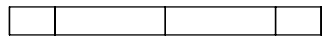
viii



Item No.	Description	Material	Qty.
1e	Vertical Handrails	2"x2"	8
2e	Horizontal HandRails	2"x3"	2
3e	Rail Mounting Plate	1"x3"	2 D

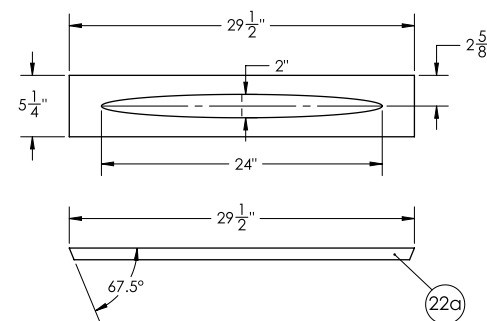
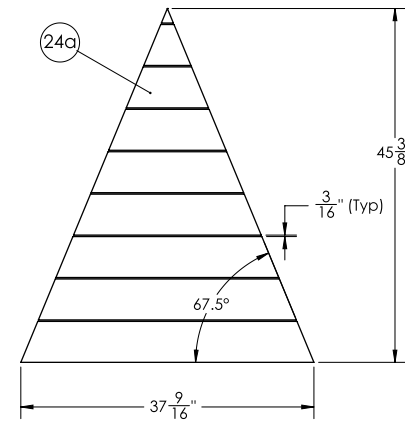
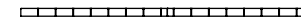


x



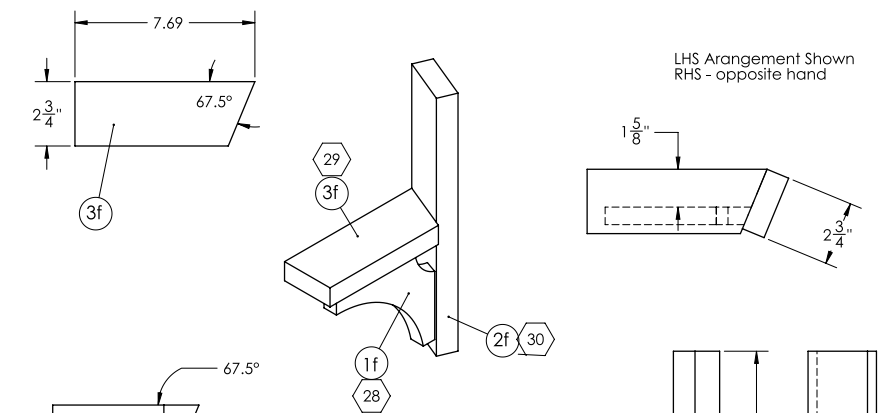
Item No.	Description	Material	Qty.
1d	Cupola Peak	6"x6"	1
2d	Cupola Facia	2"x4"	8
3d	Cupola Rafter	2"x4"	8
4d	Pine Barn Board or 5/8" Ext. Plywood	See Description	8

ix

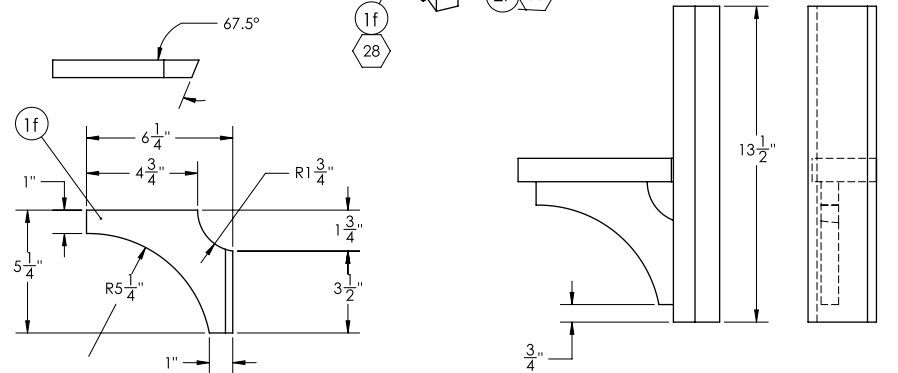


xi

Item No.	Description	Material	Qty.
1f	LHS Cut Brace	2"x 6 Offcuts	1
2f	Brace Plate 1	5/4"x3"	1
3f	Brace Plate 2	5/4"x3"	1



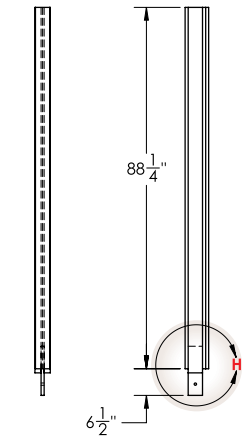
LHS Arrangement Shown
RHS - opposite hand



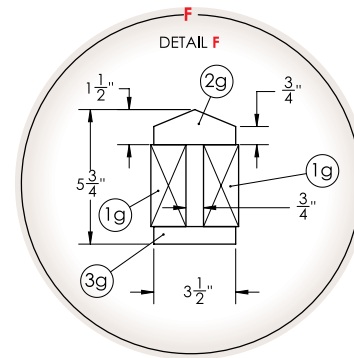
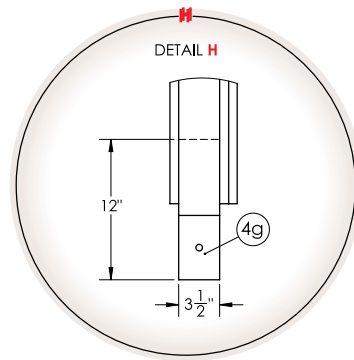
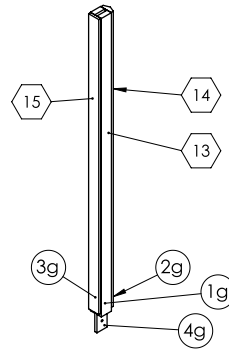
xii

Gazebo

Item No.	Description	Material	Qty.
1g	Post Verticals (Short)	2"x4"	2
2g	Post Vertical Corner Cap	2"x4"	1
3g	Inner Post Trim	1"x4"	1
4g	3/4"x3 1/2" Plywood Filler	3/4" Plywood	1
5g	1/2"x5" Galvanized Carriage Bolt	Not Shown	2



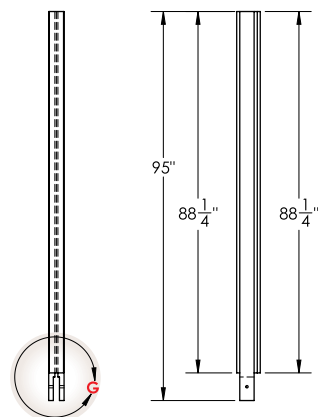
NOTES:
1) POST LAYOUT - DOUBLE JOIST (TYPICAL FOR 2)



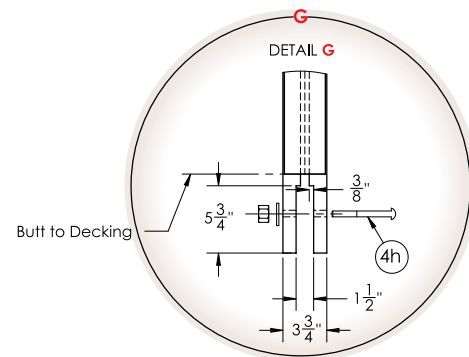
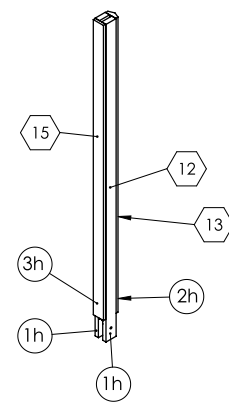
xiii

Item No.	Description	Material	Qty.
1h	Post Verticals (Long)	2"x4"	2
2h	Post Vertical Corner Cap	2"x4"	1
3h	Inner Post Trim	1"x4"	1
4h	1/2" x 5" Galvanized Carriage Bolt See Description		6

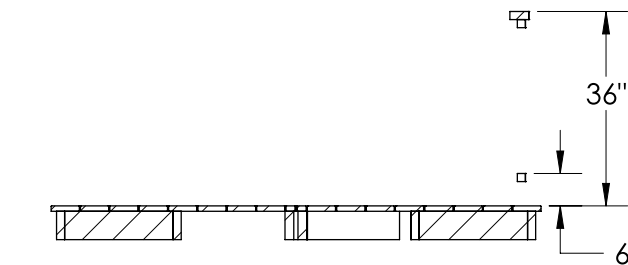
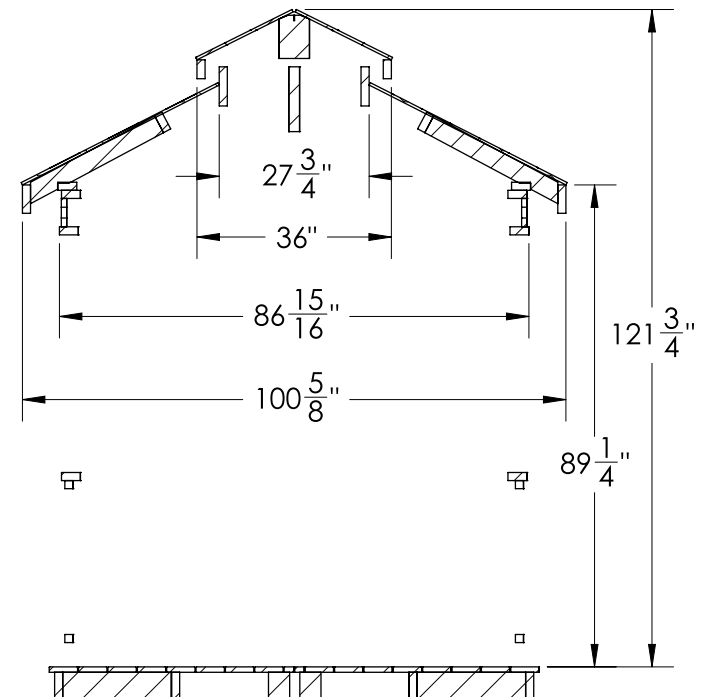
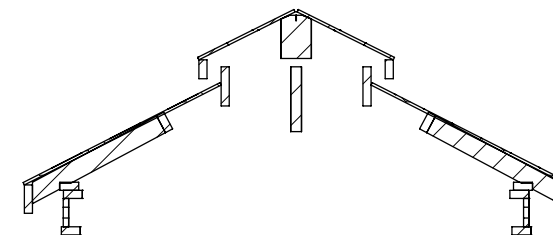
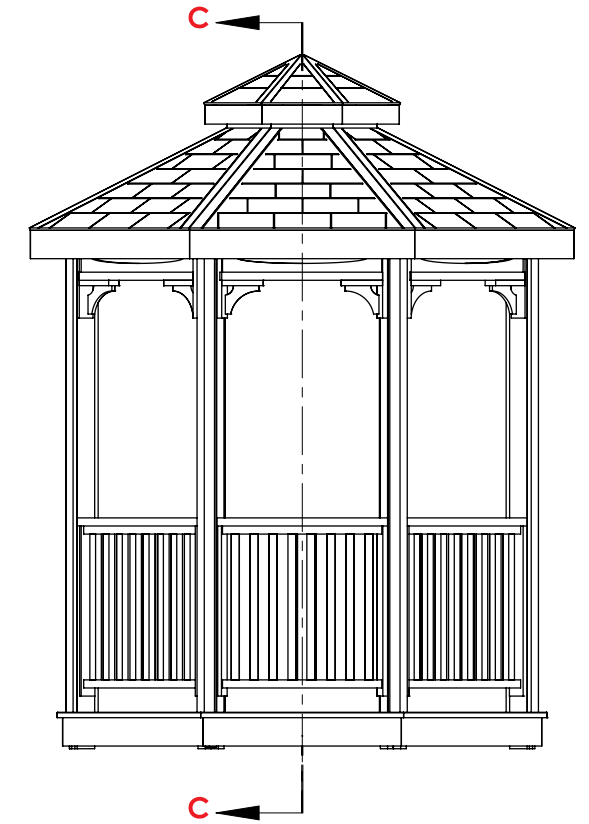
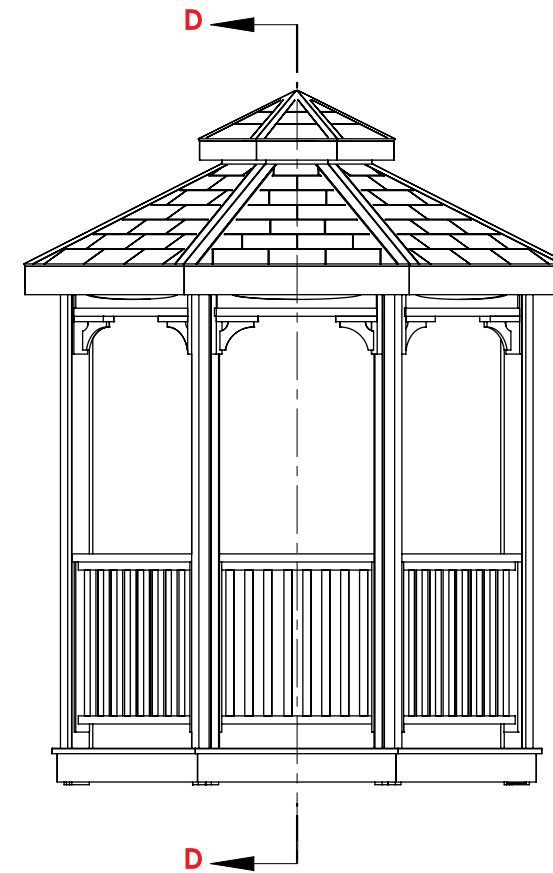
SEE DETAIL F



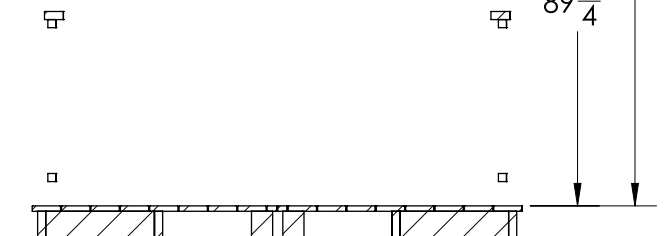
NOTES:
1) POST LAYOUT - ALL LOCATIONS EXCEPT DOUBLE JOIST (TYPICAL FOR 6)



xiv



SECTION D-D



SECTION C-C

xv