



# REAL CEDAR CEDAR BENCH

## DESIGN: REAL CEDAR ORIGINAL

This storage bench is a stylish, yet highly functional, space saving solution for mudrooms as well as outdoor living spaces. It's also a fun easy build. That's because the design calls for inherently beautiful Western Red Cedar, which, as any builder will tell you, is a pleasure to work with. Real Cedar is also naturally resistant to rot, decay and insects. So you can enjoy this handcrafted storage bench for years to come with minimal maintenance.

In terms of WRC grades, choose Architect Knotty for a more rustic look and Architect Clear for a polished contemporary look. And when it comes to specifying sizes, we recommend asking your local Real Cedar retailer if they have any short lengths in stock. Using short lengths means less cutting, less waste and more savings for you.

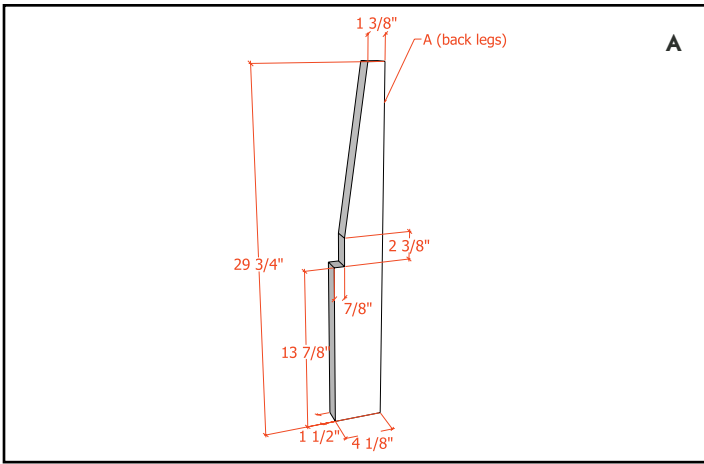
## WHAT YOU'LL NEED

Part #	Description	FINISHED SIZE			Nominal Sizes	Material	Qty.
		Thickness	Width	Length			
<b>Frame</b>							
A	Legs - back	1 1/2"	4 1/8"	29 3/4"	2" x 6" x 3'	WR Cedar Smooth	4
B	Frame bracing	1 1/2"	2 3/8"	11 3/4"	2" x 4" x 1'	WR Cedar Smooth	4
C	Front bracing	1 1/2"	2 3/8"	53 1/2"	2" x 4" x 5'	WR Cedar Smooth	1
D	Legs - front	1 1/2"	2 3/8"	13 7/8"	2" x 4" x 2'	WR Cedar Smooth	4
E	Top cap	3/4"	3"	56"	1" x 4" x 5'	WR Cedar Smooth	1
<b>Slats</b>							
F	Back slats	3/4"	2 3/4"	55"	1" x 3" x 5'	WR Cedar Rough	9
G	Front slats	3/4"	2 3/4"	55"	1" x 3" x 5'	WR Cedar Rough	5
H	Side slats - long	3/4"	2 3/4"	17 5/8"	1" x 3" x 2'	WR Cedar Rough	10
I1	Side slats - short	3/4"	2 3/4"	3 7/8"	1" x 3" x 4'	WR Cedar Rough	2
I2	Side slats - short	3/4"	2 3/4"	3 7/16"	1" x 3" x 4'	WR Cedar Rough	2
I3	Side slats - short	3/4"	2 3/4"	3 1/16"	1" x 3" x 4'	WR Cedar Rough	2
I4	Side slats - short	3/4"	2 3/4"	2 11/16"	1" x 3" x 4'	WR Cedar Rough	2
<b>Seat</b>							
J	Back rest with angle	3/4"	3 1/4"	56"	1" x 4" x 5'	WR Cedar Rough	1
K	Back rest	3/4"	2 3/4"	56"	1" x 3" x 5'	WR Cedar Rough	3
L	Seat	1 1/2"	4"	56"	2" x 6" x 5'	WR Cedar Rough	2
M	Seat with angle	1 1/2"	4"	56"	2" x 6" x 5'	WR Cedar Smooth	1
N	Seat bracing	1 1/2"	1 1/2"	10 1/4"	2" x 2" x 1'	WR Cedar Smooth	3
<b>Hardware</b>							
O	1 1/2" piano hinge			53 1/2"		Stainless steel	1
P	Flat head screws #6			3/4"		Stainless steel	20
Q	Screws #8			3"		Stainless steel	30
R	Finish nails 16 gauge			2"		Stainless steel	250

## FASTENER PRO TIPS

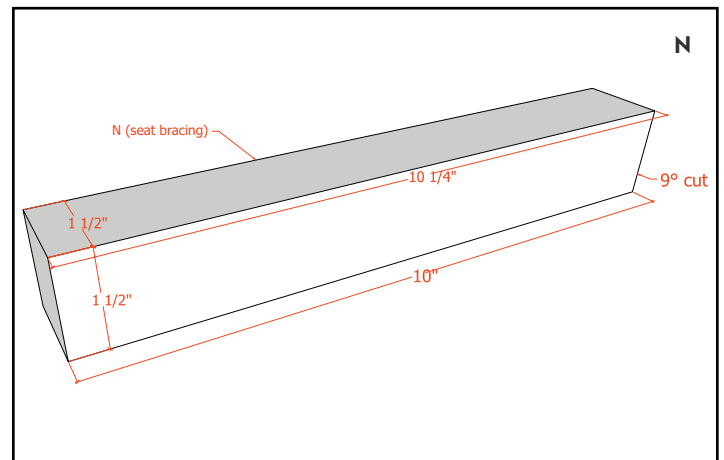
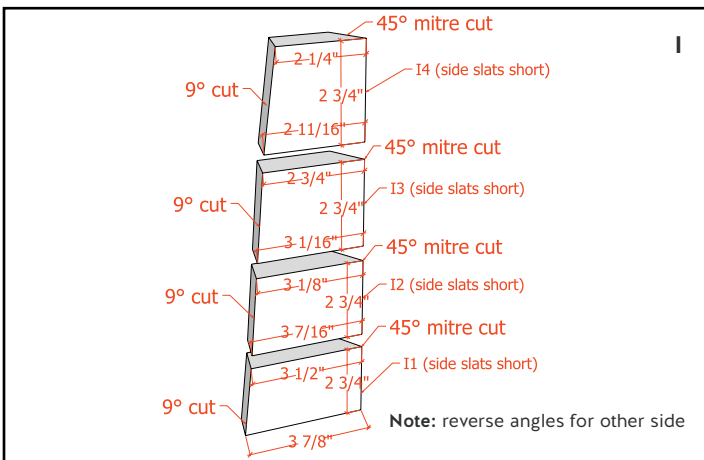
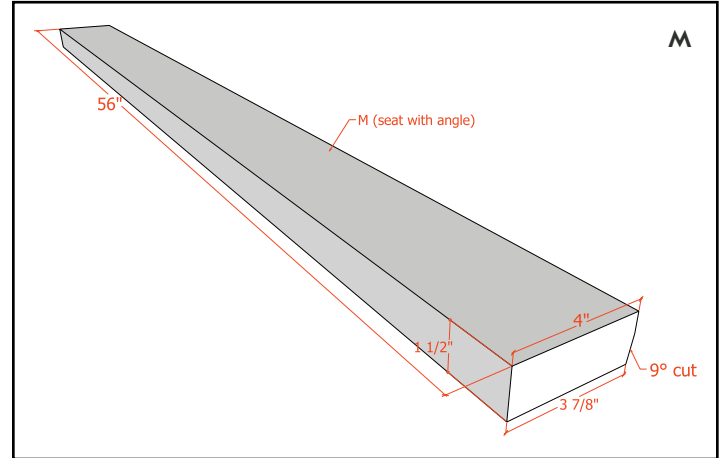
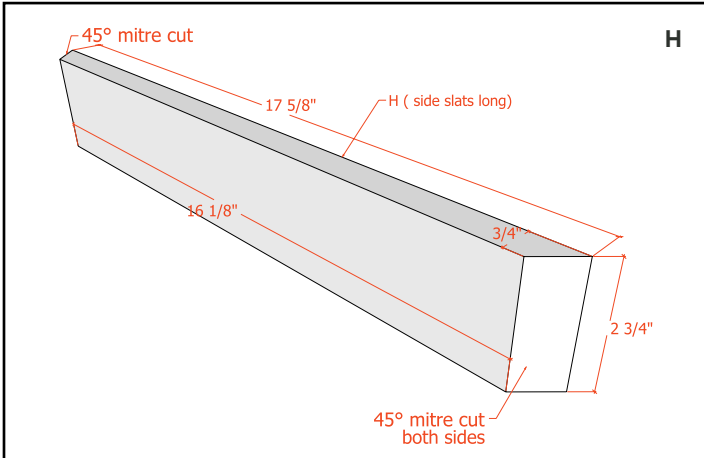
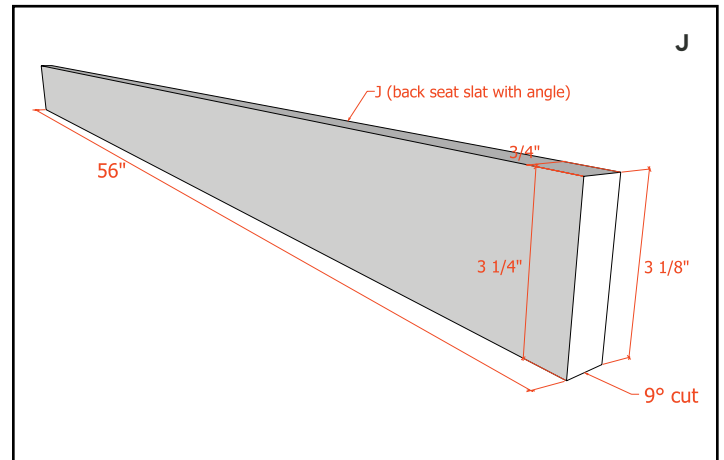
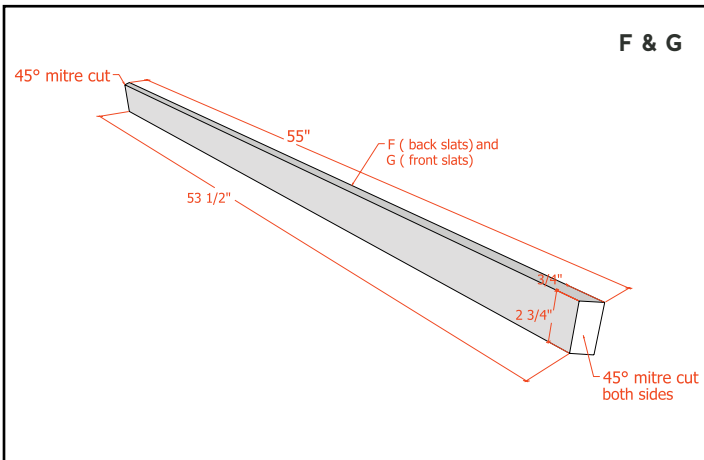
- Where gluing is required, only apply a polyurethane construction adhesive specially formulated for outdoor application. Using a scrap of wood, spread a thin even layer of glue like butter on toast. Avoid applying excessive amounts and keep glue at least 1/2" away from exterior edges of joint to avoid unappealing bleed out. Press pieces in place briefly, then pull them apart for a second before pressing firmly back in place (this helps activate the glue so it will set faster). Always use clamps to keep pieces in position while driving in screws because until the glue dries, pieces are at risk of slipping.
- For all outdoor work, you should use corrosion-resistant hot-dipped galvanized or stainless steel nails. Other fasteners and hardware such as bolts, screws and hinges should also be made from similar corrosion resistant materials.

**NOTE:** Real Cedar is not responsible for any personal injury or property damage sustained in connection to these guidelines.

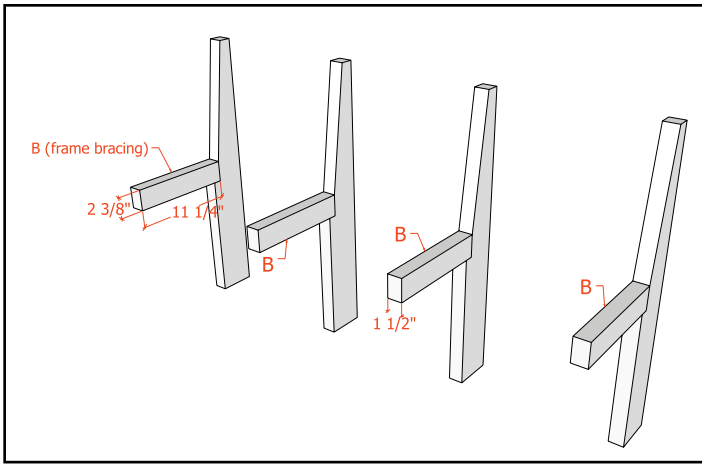


## STEP 1 - Prepare Frame

Prep wood by cutting all pieces according to the finished lengths and widths, as specified on the material list. Then cut all angled pieces according to illustrations.

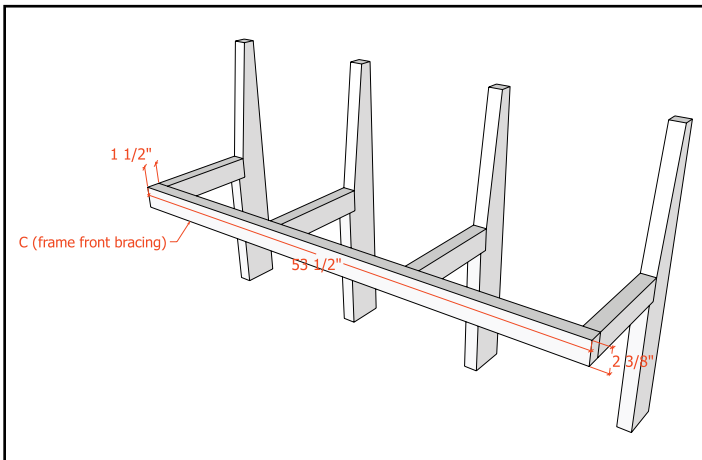


**NOTE:** Real Cedar is not responsible for any personal injury or property damage sustained in connection to these guidelines.



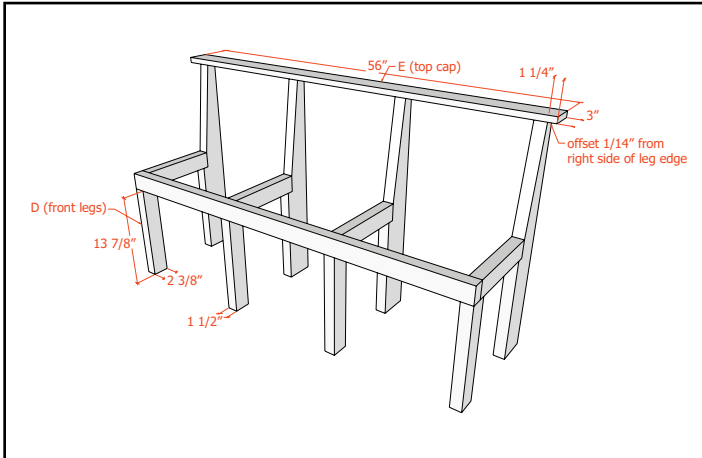
## STEP 2 - Build Bracing

Attach (A) legs to (B) bracing, using (Q) screws and glue.



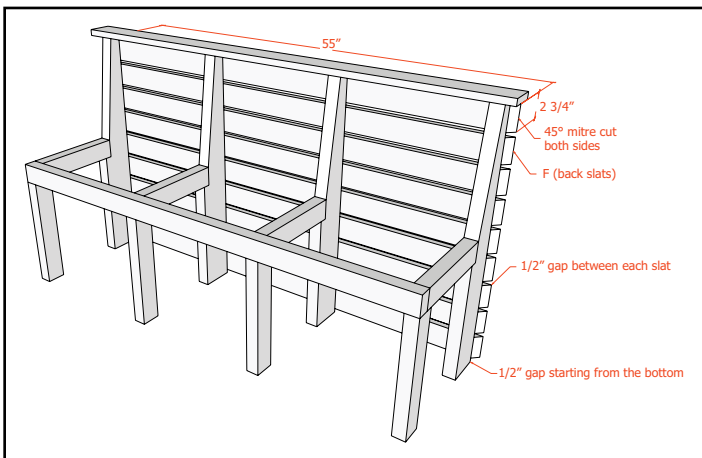
## STEP 3 - Install Front Frame

Attach (C) front bracing to (B) pieces, using (Q) screws and glue. Space inside bracings 17 3/8" from outside edges.



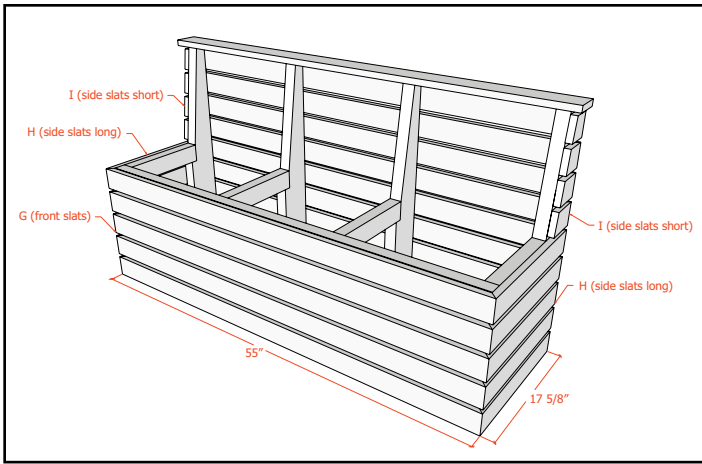
## STEP 4 - Install Top Cap and Front Legs

Add (D) legs, using (Q) screws and glue. Add (E) top cap using (R) finish nails and glue.



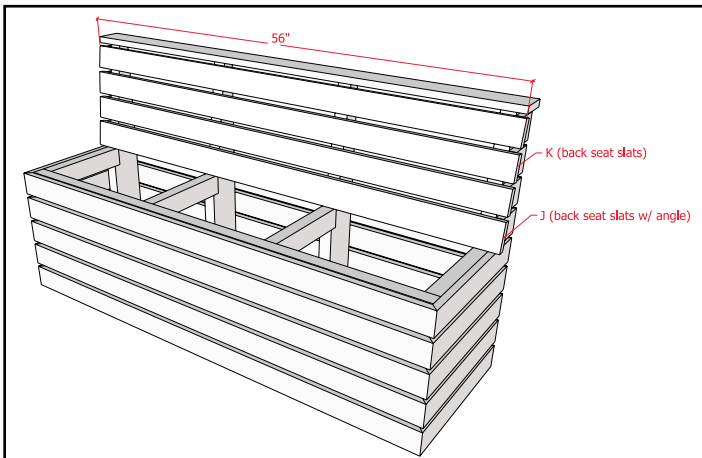
## STEP 5 - Install Rear Slats

Install nine (F) back slats along back of legs, using (R) finish nails and glue. Make sure the edge of the bevel lines up with the back legs.



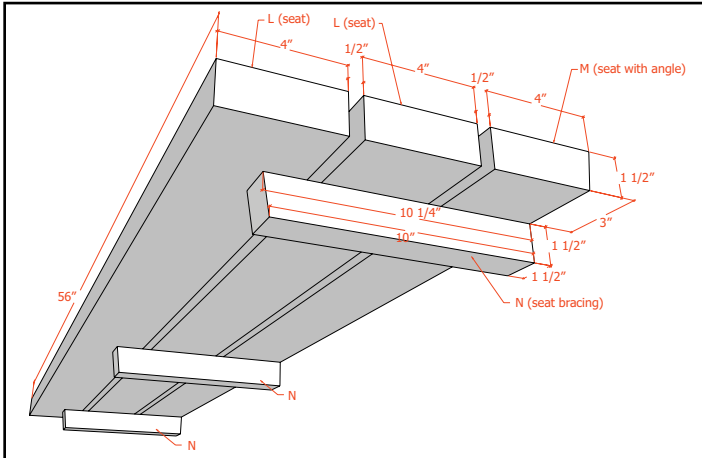
### STEP 6 - Install Front & Side Slats

Add five (G) front slats, 10 (H) long side slats as well as customized (I) short slats for backrest. Attach using (R) finish nails and glue.



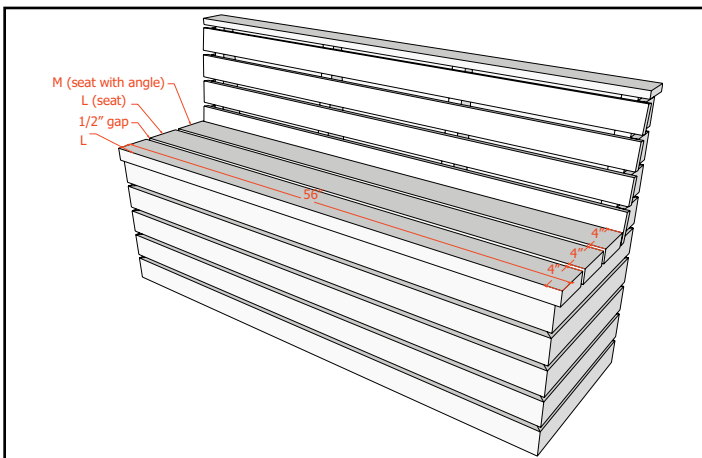
### STEP 7 - Add Backrests

Install (J) backrest at the bottom of front side of the backrest. Then install (K) backrest slats on top, leaving 1/2" space between each piece.



### STEP 8 - Assemble Seat

Connect (M) pieces to (L) piece using (N) bracing. Attach using (Q) screws and glue.



### STEP 9 - Mount Seat

Attach (M, L, N) portion of seat to (J) backrest with (O) hinge.